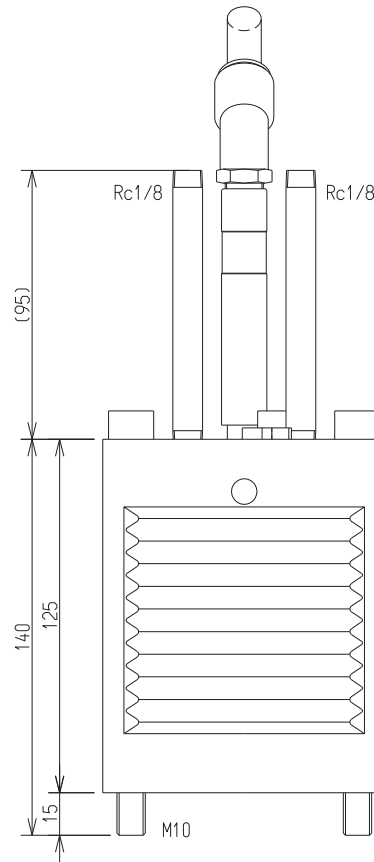
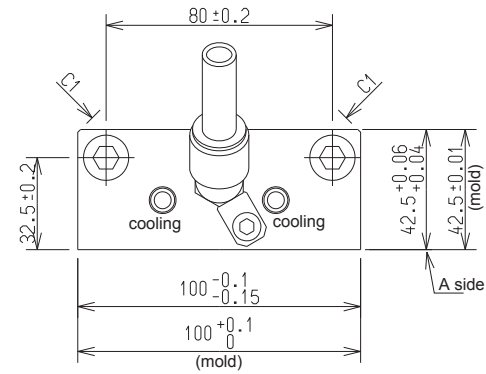
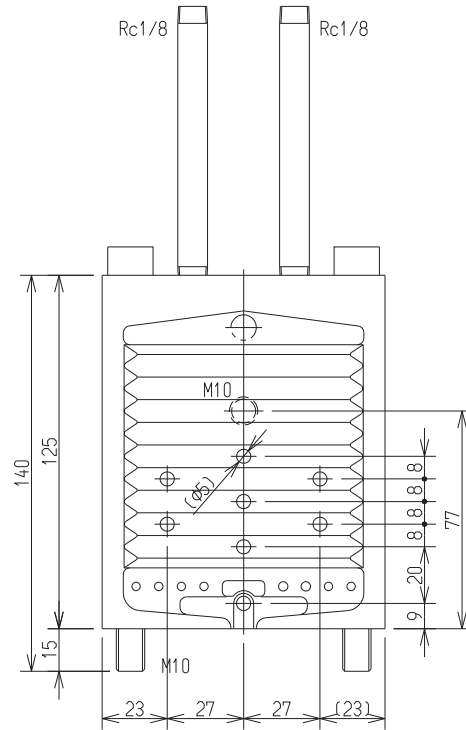
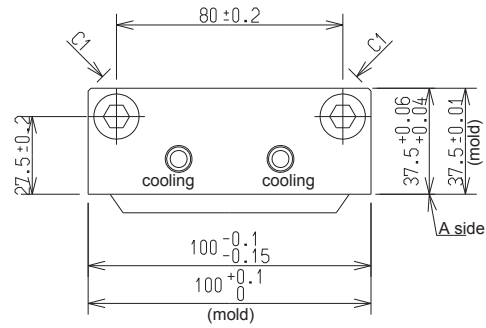
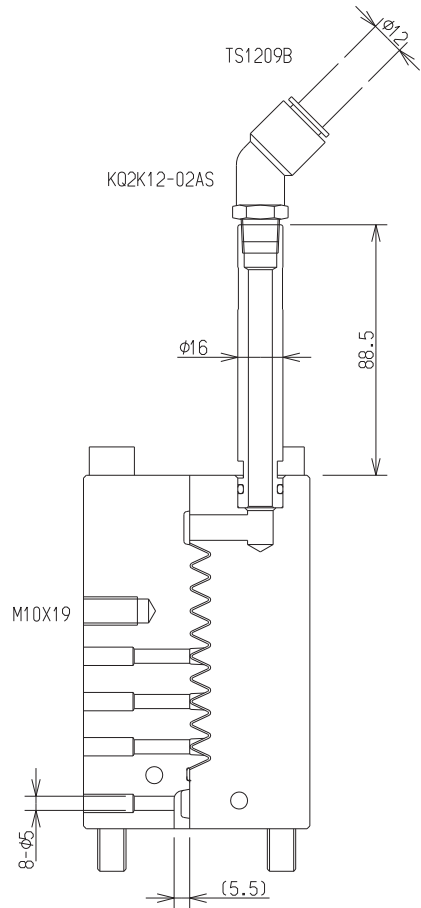


CVV100-C Installation drawing

Patent No.5763584



CVV100-C specification

| Subject | Degassing Space |
|------------------|----------------------|
| Vent Gap | 0.48 cm ² |
| TS1209B | 0.64 cm ² |
| KQ2K12-02AS | 0.64 cm ² |
| Pipe | 0.57 cm ² |
| Degassing Groove | 0.42 cm ² |

(Vacuum ability is equal to NVV034 vacuum valve)

CVV100-C usage example

| Usage number | Dimension of chip |
|--------------|-------------------|
| One used | φ65 |
| Two used | φ90 |

(Injection speed is recommended as 2.5m/s)

(Remarks)

A side is higher than core parting line 0.03~0.04.