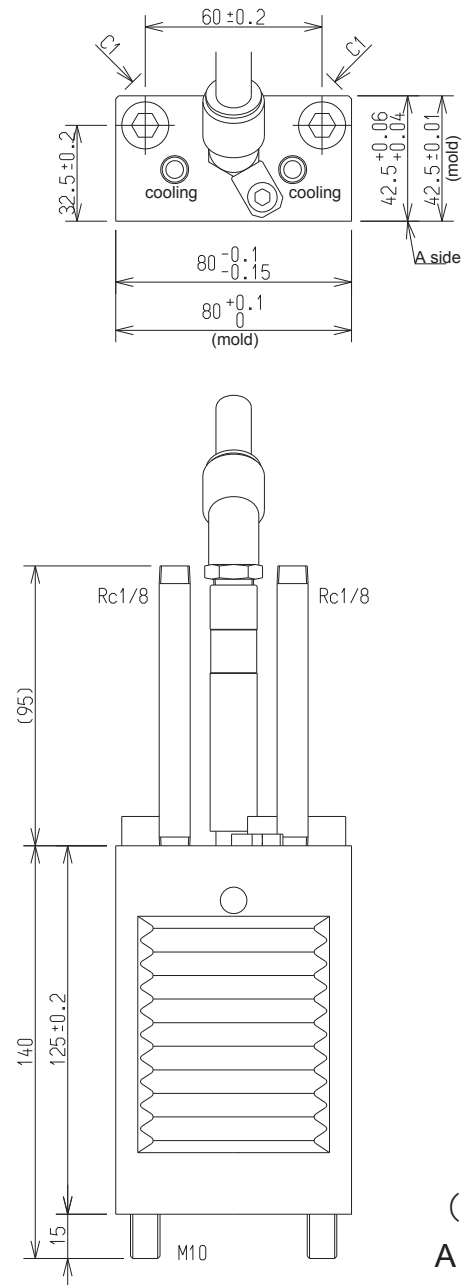
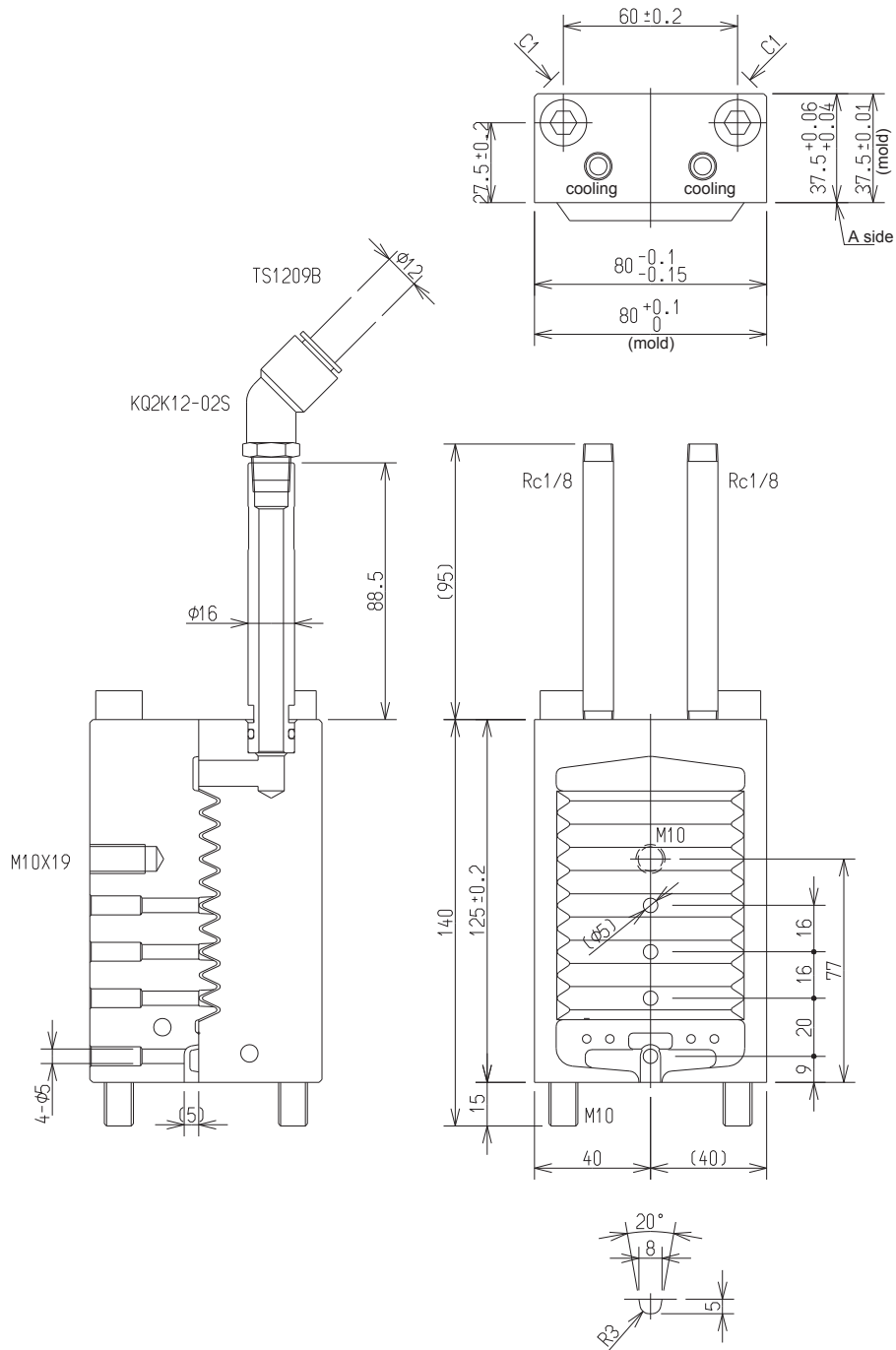


CVV80-C Installation drawing

Patent No.5763584



CVV80-C specification

Subject	Degassing Space
Vent Gap	0.36 cm ²
TS1209B	0.62 cm ²
E45L12-PT1/4	0.64 cm ²
Pipe	0.57 cm ²
Degassing Groove	0.33 cm ²

(Vacuum ability is equal to NVV025 vacuum valve)

CVV80-C usage example

Usage number	Dimension of chip
One used	φ55
Two used	φ80

(Injection speed is recommended as 2.5m/s)

(Remarks)

A side is higher than core parting line 0.03~0.04.