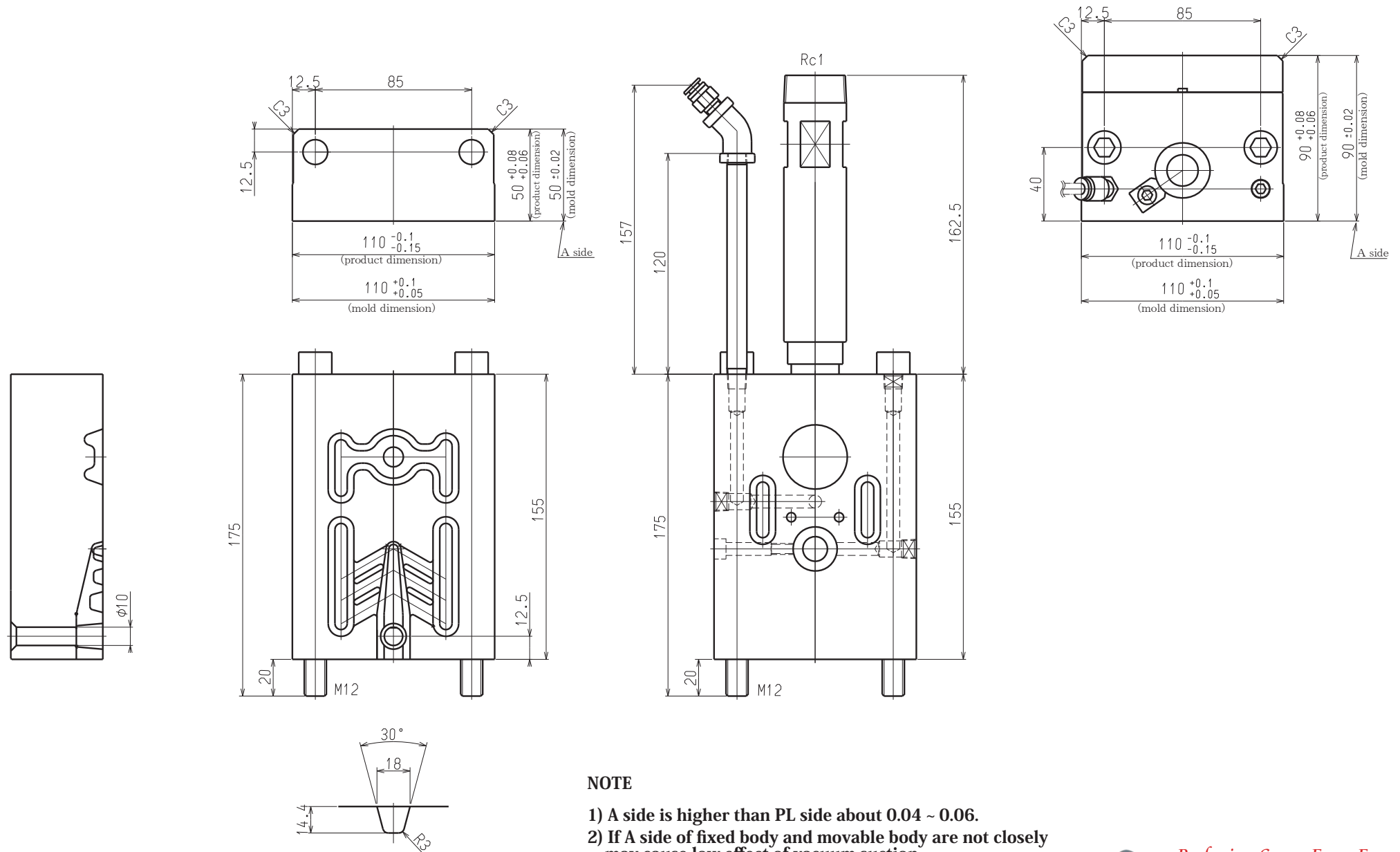


# NVV201NS2 Installation drawing



## NOTE

- 1) A side is higher than PL side about 0.04 ~ 0.06.
- 2) If A side of fixed body and movable body are not closely may cause low effect of vacuum suction.



Profession Comes From Focus

DIE ENGINEERING CORPORATION