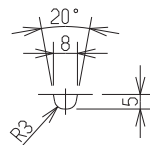
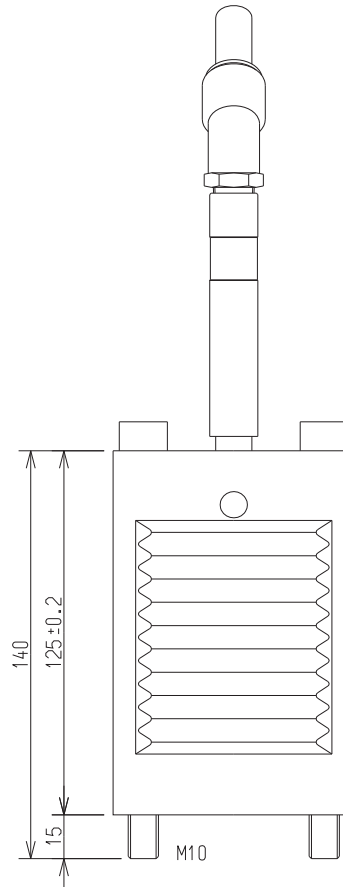
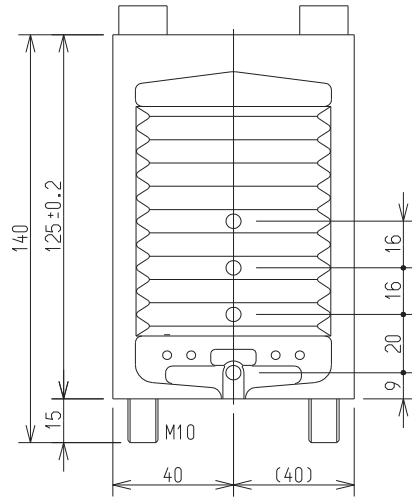
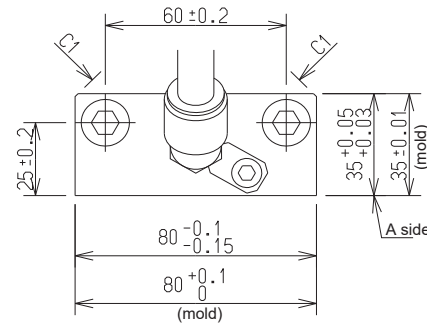
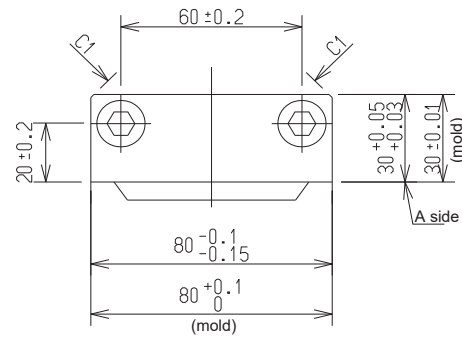
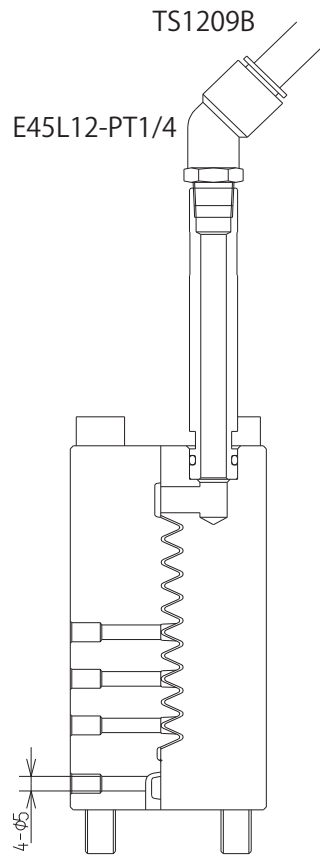


CVV80-D Installation drawing

Patent No.5763584



CVV80-D specification

| Subject | Degassing Space |
|------------------|----------------------|
| Vent Gap | 0.36 cm ² |
| TS1209B | 0.64 cm ² |
| E45L12-PT1/4 | 0.64 cm ² |
| Pipe | 0.57 cm ² |
| Degassing Groove | 0.33 cm ² |

(Vacuum ability is equal to NVV025 vacuum valve)

CVV80-D usage example

| Usage number | Dimension of chip |
|--------------|-------------------|
| One used | Φ55 |
| Two used | Φ80 |

(Injection speed is recommended as 2.5m/s)

(Remarks)
A side is higher than core parting line 0.03~0.04.